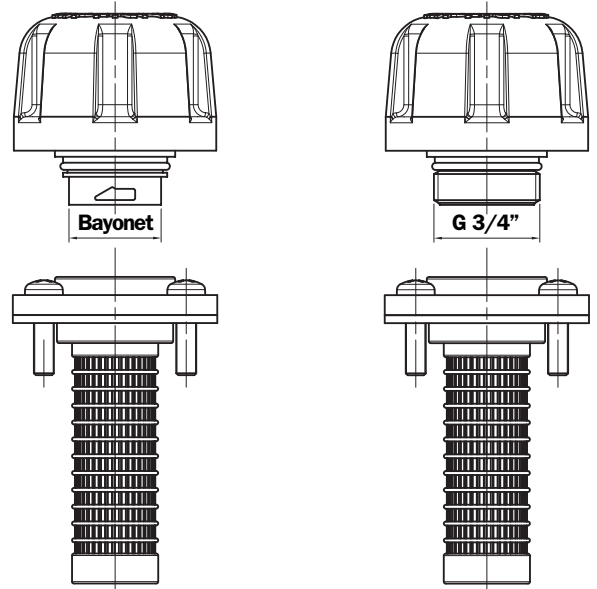
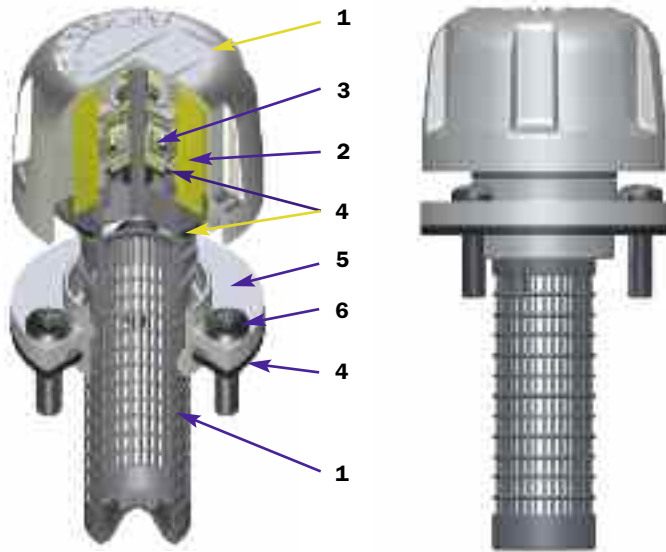


Series TAP 50

Nylon oil filler and air breather filler caps

Dimensions



TAP50 (Materials)

- 1 - Cover/ringnut: Nylon
- 2 - Filter element: Impregnated paper
Polyurethane
- 3 - Pressurisation valve: Nylon
Galvanised Steel
NBR
- 4 - Seal: NBR
- 5 - Flange: Nylon
- 6 - Screws: Galvanised Steel
- 7 - Basket: Nylon

Flow rates with Δp : 0,02 bar

Filtration	l/min
10 μ m	202

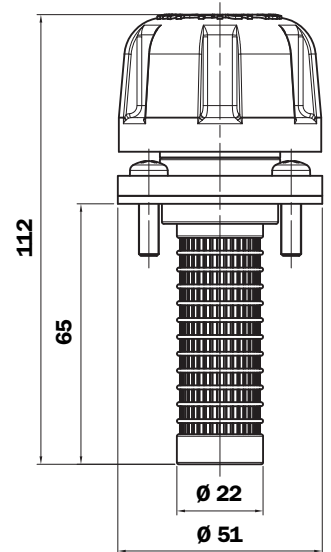
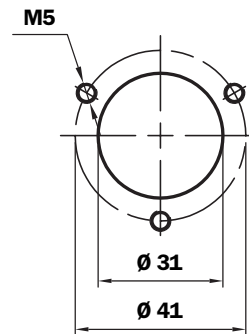
Quantity per pack Number of Parts

TAP50	10
-------	----

Weight

TAP50: 0,060 kg

Reservoir holes



Ordering information

Filler cap

TAP50

Example: TAP50 **B** **10** **A** **0** **1** **P01**

1 - Connection to reservoir

- B** Flange with bayonet connection
- C** Flange with bayonet connection G 3/4"

2 - Filter element

- 03** 3 μ m - Impregnated paper
- 10** 10 μ m - Polyurethane

3 - Seal

- A** NBR

4 - Valves

- 0** Without
- 1** 0,5 bar pressurisation valve

5 - Basket

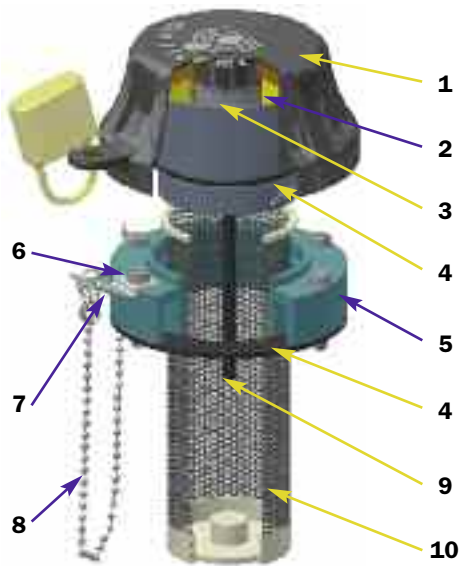
- 1** L= 65 mm

6 - Options

- P01** MP Filtri standard

Series TAP 90

Nylon oil filler and air breather filler caps



TAP90 (Materials)

- 1 - Cover/ringnut: Nylon
- 2 - Filter element: Impregnated paper
Polyurethane
- 3 - Pressurisation valve: Nylon
Galvanised Steel
NBR
- 4 - Seal: NBR
- 5 - Flange B: Nylon
- 6 - Screws: Galvanised Steel
- 7 - Padlock tab: Galvanised Steel
- 8 - Chain, ring: Brass
- 9 - Dipstick: Phosphated Steel
- 10 - Basket: Galvanised Steel/Nylon

Flow rate with Δp : 0,02 bar

Filtration	l/min
3 μ m	450
10 μ m	550

Weight

Basket L 120 mm:	0,250 Kg
Basket L 250 mm:	0,310 Kg

TAP90 B.....
Flange with
bayonet connection

TAP90 R.....
Flange with
M52x2 connection

TAP90 F.....
Flange with spigot
DIN 24557 Connection
M52x2

TAP90 C.....
Weld riser
Connection M52x2



External chain



Internal chain



Internal chain



Weld riser in
Galvanised Steel,
internal chain

TAP90 B-C-R-F
With dipstick

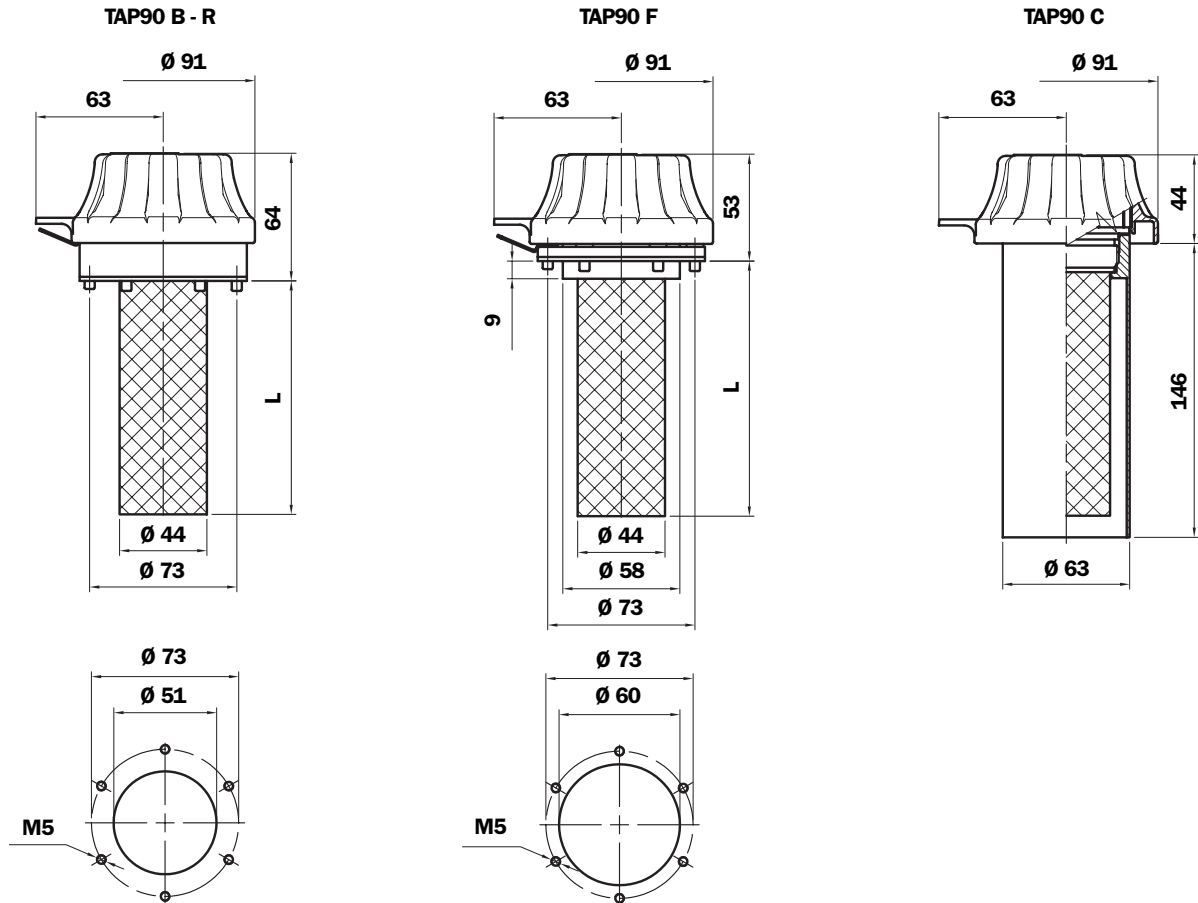
TAP90 B-C-R-F
Closed filler cap without
filter element

TAP90 B-C-R-F
Filler cap with filter
element

TAP90 B-C-R-F
Filler cap with
pressurisation valve

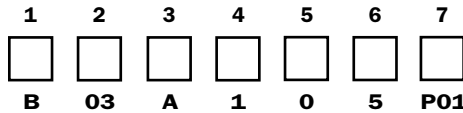


Dimensions



Ordering information

Filler cap
TAP90
Example: TAP90



1 - Connection to reservoir

- B** Flange with bayonet connection
- C** Weld riser (M52X2 version only)
- F** Flange with threaded M52x2 connection Spigot Ø 60 (DIN 24557)
- R** Flange with M52X2 threaded connection

2 - Filter element

- 00** Without filter (Blank filler cap)
- 03** 3 µm - Impregnated paper
- 10** 10 µm - Polyurethane

3 - Seal

- A** NBR

4 - Valves

- 0** Without
- 1** 0.3 bar pressurisation valve
- 2** 0.7 bar pressurisation valve

5 - Variantes

- 0** Standard
- L** With Padlock tab
- A** With Dipstick
- C** With Chain external for connection **B**
With Chain internal for connection **C-F-R** (with basket only)
- D** With Padlock tab and chain external for connection **B**
With Padlock tab and chain internal for connection **C-F-R** (with basket only)
- E** Dipstick and chain external (only connection **B**)
- F** Dipstick and Padlock tab
- G** Dipstick, Padlock tab and chain external (only connection **B**)

6 - Basket (Stainless steel basket on request)

- 0** Without
- 1** L= 120 mm
- 3** L= 250 mm

In the version with chain the L= 120 basket features a press fitting.

7 - Options

- P01** MP Filtri standard

Series TAP 114

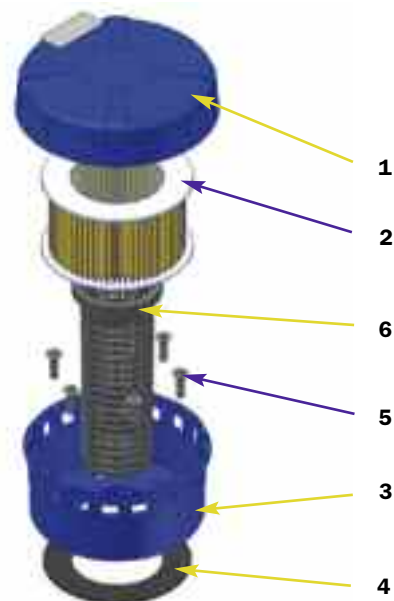
Nylon oil filler and air breather filler caps



**Example
TAP114
Length 1**



**Example
TAP114
Length 2**

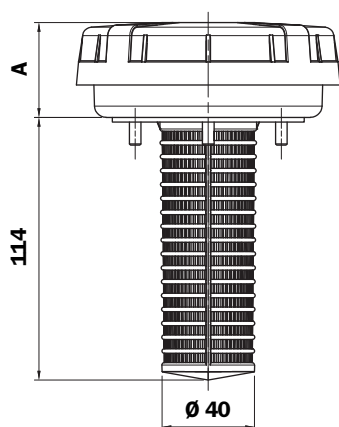


TAP114 (Materials)

- 1 - Cover: Nylon
- 2 - Filter element: Impregnated paper
- 3 - Flange: Nylon
- 4 - Seal: NBR
- 5 - Screws: Galvanised Steel
- 6 - Basket: Nylon

Dimensions

TAP 114



Length	A
1	41
2	56
3	68

Flow rates with Δp : 0,02 bar

Length 1

Filtration	l/min
10 μm	1450

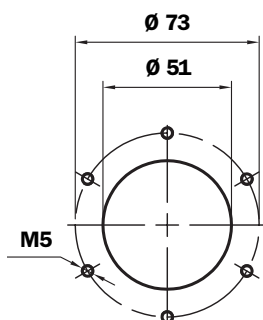
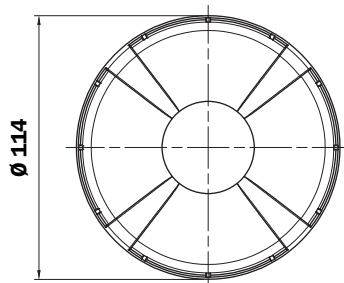
Length 2

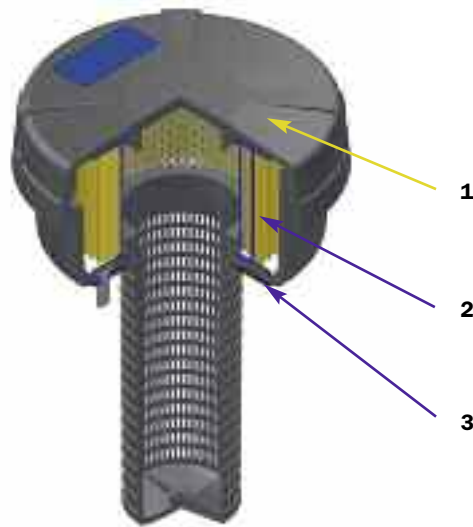
Filtration	l/min
10 μm	1600

Weight

TAP 114 1: 0,185 Kg
TAP 114 2: 0,200 Kg

**Reservoir
holes**





TAP 114 spare parts

Item.	Description	Q.ty	Filler cap series TAP 114	
1	Complete filler cap	1	See order table	
2	Filter Element	1	See order table	
3	Seal	1	NBR 01026306	FPM 01026332

Ordering information

Filler cap
TAP114

1	2	3	4	5
<input type="checkbox"/>	<input type="checkbox"/>	<input type="checkbox"/>	<input type="checkbox"/>	<input type="checkbox"/>

Example: TAP114 3 L10 A 1 P01

Filter element
A114

1	2	3
<input type="checkbox"/>	<input type="checkbox"/>	<input type="checkbox"/>

Example: TAP114 3 L10 P01

1 - Length

1
2
3

2 - Filter element

L10	10 µm - Impregnated paper
-----	---------------------------

3 - Seal

A	NBR
---	-----

4 - Basket

1	L= 114 mm
---	-----------

5 - Options

P01	MP Filtri standard
-----	--------------------

Series TAP 115

Nylon oil filler and air breather filler caps



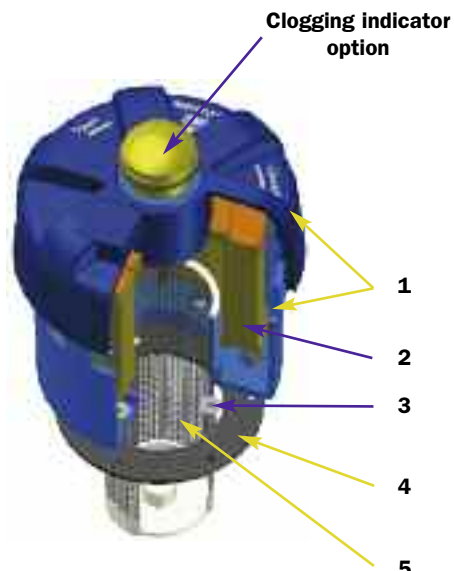
Example
TAP115

Length 1
Without indicator



Example
TAP115

Length 2
With indicator



TAP115 (Materials)

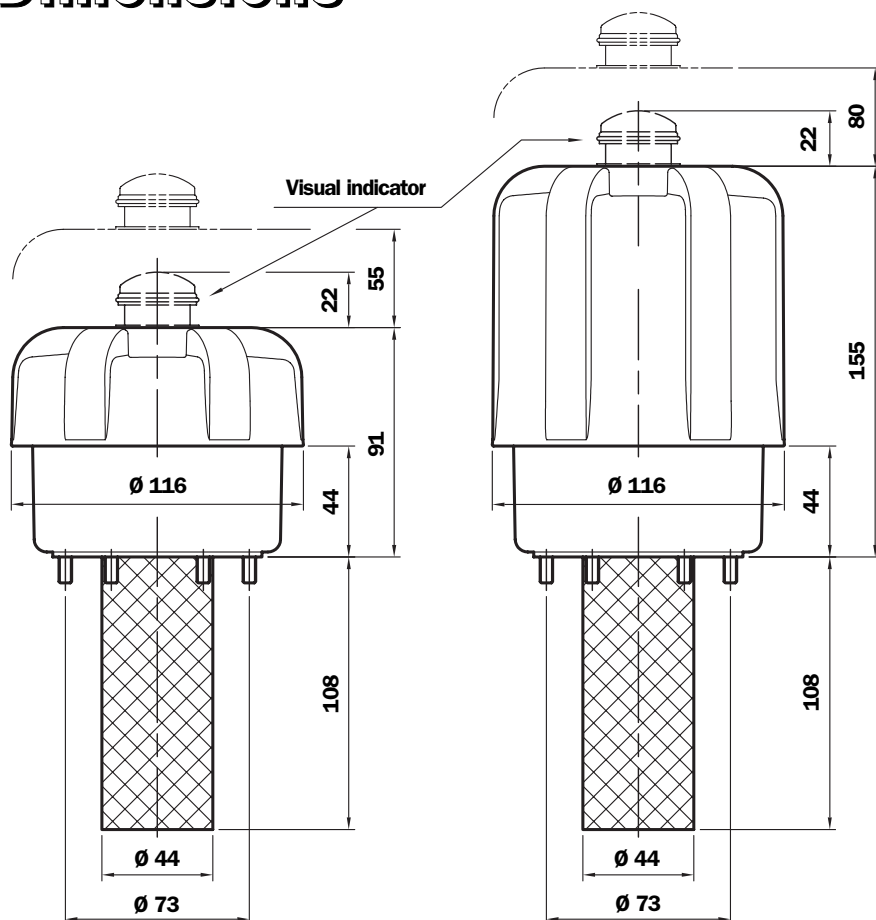
- 1 - Cover/Flange: Nylon
- 2 - Filter element: Microfibre Impregnated paper
- 3 - Seals: NBR
FPM
- 4 - Screws: Galvanised Steel
- 5 - Basket: Galvanised Steel/Nylon

Clogging indicator

Set pressure: - 0,062 bar ± 10 %

Manual reset

Dimensions



Flow rates with Δp : 0,02 bar

Length 1

Filtration	l/min
3 μ m	1600
10 μ m	2000

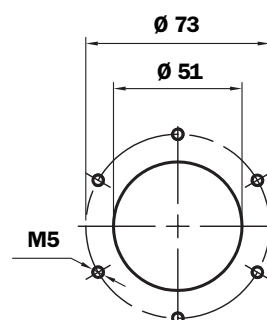
Length 2

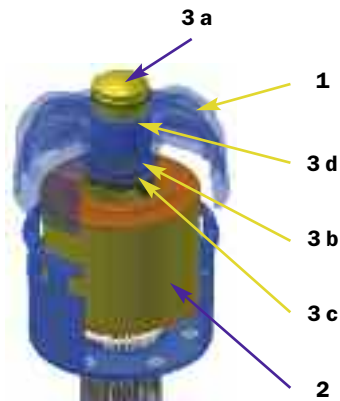
Filtration	l/min
3 μ m	2150
10 μ m	2150

Weight

TAP 115 1: 0,460 Kg
TAP 115 2: 0,585 Kg

Reservoir holes





TAP 115 spare parts

Item.	Description	Q.ty	Filler cap series TAP 115	
1	Complete filler cap	1	See order table	
2	Filter Element	1	See order table	
3	Indicator kit	1	NBR 02005187	FPM 02005188
3a	Visual indicator	1	S62P01	
3b	Seal	1	O-R 3106 Ø 26,64 X 2,62	
3c	Indicator securing screw	1	01022670	
3d	O-R indicator	1	O-R 2112 Ø 28,3 x 1,78	

Changing the filter element in TAP 115 series filler caps

- 1 Thoroughly clean the filler cap and adjacent parts.
- 2 Unscrew and raise the cover.
- 3 Replace the filter element.
- 4 Screw the cover.



Ordering information

Filler cap	1	2	3	4	5	6	7
TAP115	<input type="checkbox"/>	<input type="checkbox"/>	<input type="checkbox"/>	<input type="checkbox"/>	<input type="checkbox"/>	<input type="checkbox"/>	<input type="checkbox"/>
Example: TAP115	2	F	A03	A	1	B	P01
Filter element	1	3	7				
A115	<input type="checkbox"/>	<input type="checkbox"/>	<input type="checkbox"/>				
Example: TAP115	2	A03	P01				

1 - Length

 1
 2

2 - Connection

 F Flange

3 - Filter element

 A03 3 µm - Microfibre
 L10 10 µm - Impregnated paper

4 - Seal

 A NBR
 V FPM

5 - Basket

 0 Without
 1 L= 120 mm

6 - Clogging indicator

 A Without
 B Clogging indicator

7 - Options

 P01 MP Filtri standard